

August 31, 2016

ADDENDUM NO. 1

**VENTURA AVE. PUMP PLANT NO. 1 ELECTRICAL UPGRADE
Specification No. 16-383**

To All Prospective Bidders Under the Above Named Specifications:

The following modifications or additions are hereby made in the above named specification and shall become a part thereof:

REFERENCE FOR ESTIMATE

(PENDING) Edison Final Design

NOTICE: All bids submitted must include a signed copy of this Notice.

Lindsay Cao

Lindsay Cao, P.E.
Civil Engineer

Firm Name: _____

By: _____ Date: _____

TIE-IN MADE THROUGH SIDE WALL OF STRUCTURE

(Vault, Manhole, PME, SOE/CST, BURD, Slab Box, Pull Box, PMH)
The customer is responsible to trench to the structure entrance point and bring the conduit to within 5' of the structure being entered. The customer is to provide slip coupling and conduit.

EX: P5638361 SLAB BOX 1

10'x12' CONCRETE
RM: 195' 3- 1/C #750 JCN (P8361 TO EX. PANEL)
RM: 3- #750 JCN ELBOWS 16KV
RM: 1- ZMTR 911
IN: 297' 3- 1/C #1000 JCN (P8361 TO SWITCHGEAR)
MI: 59' 3- 1/C #1000 JCN
IN: 3- #1000 JCN ELBOWS 16KV
IN: 1- ZMTR 911

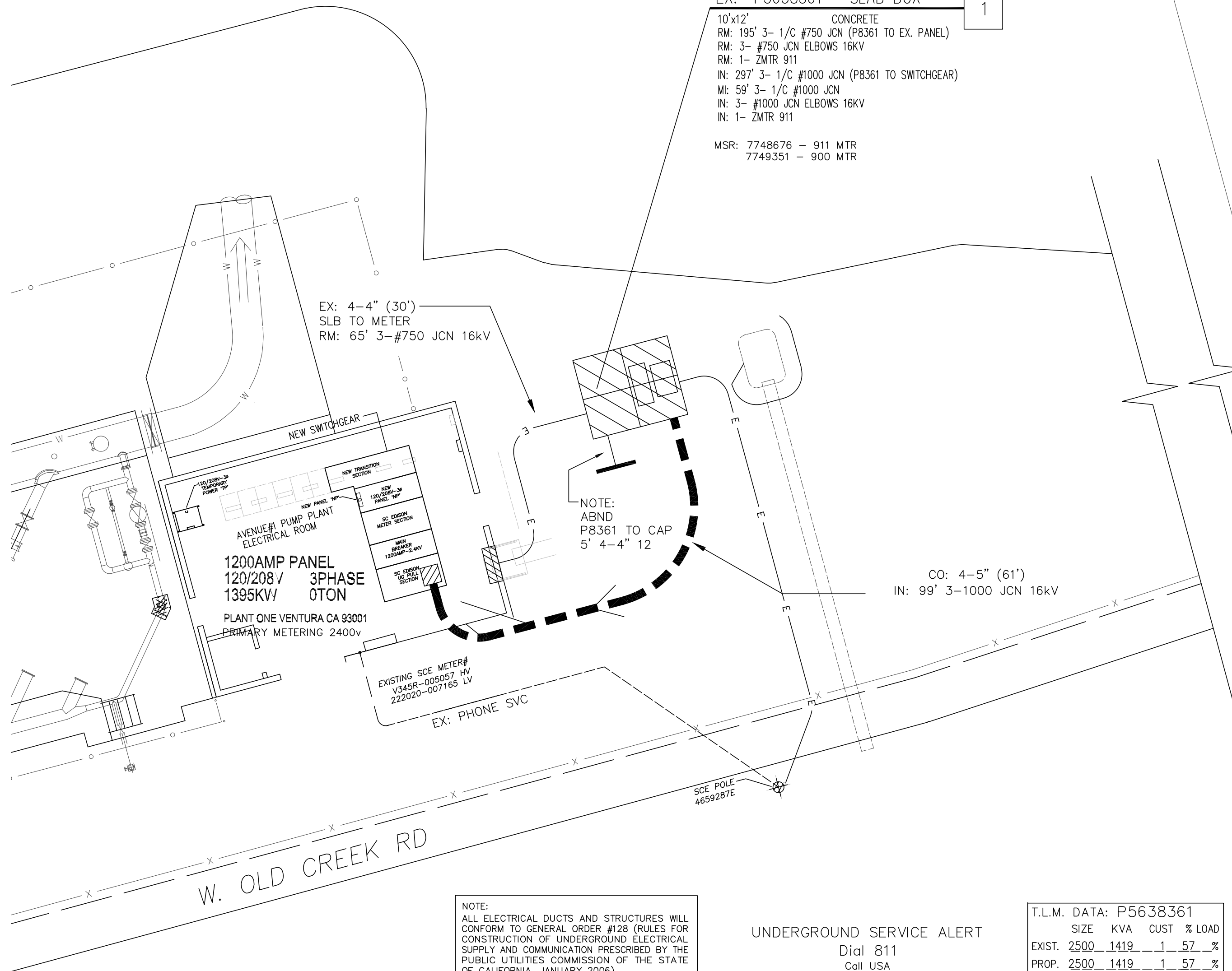
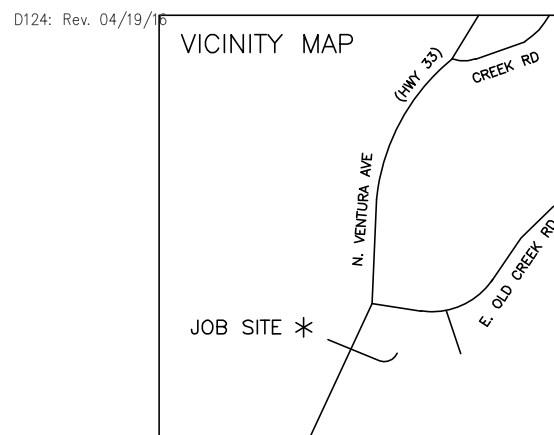
MSR: 7748676 - 911 MTR
7749351 - 900 MTR

PSPEC / CREW NOTES:

- PRIVATE PROPERTY; NO PERMITS OR TRAFFIC CONTROL REQUIRED.
- NO PTC REQUIRED.
- PWRD 88 NEEDED FOR TIE-IN TO SLAB BOX.
- W/W TD112745 - REPLACE 900 MTR
- CUSTOMER CONTACT:
ERIC BEHRENDT - (805) 649-2251

PROJECT REQUIREMENTS (Y/N)

EDISON EASEMENT REQUIRED	<input type="checkbox"/>
PWRD 88 REQUIRED	<input checked="" type="checkbox"/>
PERMIT REQUIRED	<input type="checkbox"/>
PERMIT TYPE: _____	
OUTAGE REQUIRED	<input checked="" type="checkbox"/>
OUTAGE DATE: _____ TIME: _____	
TRAFFIC CONTROL REQUIRED	<input type="checkbox"/>
PED. TRAFFIC CONTROL REQ'D	<input type="checkbox"/>
CONVEYANCE LETTER REQ'D	<input type="checkbox"/>
ENVIRONMENTAL CLEARANCE REQ'D	<input type="checkbox"/>
CSD 140 (TLM) REQ'D	<input type="checkbox"/>



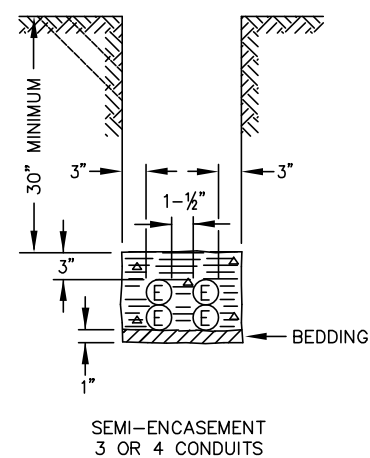
NOTE:
ALL ELECTRICAL DUCTS AND STRUCTURES WILL CONFORM TO GENERAL ORDER #128 (RULES FOR CONSTRUCTION OF UNDERGROUND ELECTRICAL SUPPLY AND COMMUNICATION PRESCRIBED BY THE PUBLIC UTILITIES COMMISSION OF THE STATE OF CALIFORNIA, JANUARY 2006).

CUSTOMER-OWNED CONDUIT MATERIAL* AND CONCRETE ENCASUREMENT ARE TO BE INSTALLED IN ACCORDANCE WITH EDISON ELECTRICAL SERVICE REQUIREMENTS.
*SUBJECT TO APPROVAL BY LOCAL INSPECTION AUTHORITIES

D14: Rev. 01/85

UNDERGROUND SERVICE ALERT
Dial 811
Call USA
For Underground Locating
2 Working Days Before You Dig

TYPICAL CONDUIT BANK SECTION
SEE UGS CD 120



D73: Rev. 09/23/09

T.L.M. DATA: P5638361

SIZE	KVA	CUST	% LOAD
EXIST. 2500	1419	1	57 %
PROP. 2500	1419	1	57 %

VOLTAGE DROP: _____
FLICKER FACTOR: _____
PRI. CIRCUIT: RIVA 16KV

SCE Inspection
Contact SCE 48 Hours in advance for a Pre-Construction meeting and/or Inspection.
Email: DOUGLAS.STIEFF@SCE.COM

DUCT AND STRUCTURE INSPECTOR
NAME: DOUG STIEFF
PHONE: 805-814-7097
CABLING CONSTRUCTION COORDINATOR
NAME: DOUG STIEFF
PHONE: 805-814-7097

CONNECTING TO EXISTING SCE STRUCTURES

- Per SCE requirements, customers are not allowed to enter, intercept or tie-in to existing SCE structures, equipment or conductors. This work will only be performed by SCE. Contact the appropriate SCE inspector to schedule an appointment. Customers may connect to an existing duct stub without a SCE inspector present.
- Per CPUC/SCE's Rule 15 B.1.A and Rule 16 D.1.A., the customer will provide all necessary excavations (with the exception of excavation under pads and primary splice boxes), material (including conduit and structures) and encasement, to be utilized in the intercept/tie-in process.
- The customer must adhere to all applicable Cal-OSHA, local, city, state and federal regulations, (including, but not limited to, all necessary shoring and traffic control in place to perform the intercept/tie-in work by SCE's underground civil contractors(s))
- Intercept/tie-in work must be coordinated with SCE's civil contractors through the Division Inspector/CCM to limit exposure of excavation(s). Customer is responsible for securing excavation(s).

CONDUIT RADIUS REQUIREMENTS:
A: The minimum radius for bends are:
36" for conduits 3" in diameter or smaller
48" for conduits 4" and 5" in diameter
60" for 6" diameter conduit
B: The minimum radius for sweeps are:
36" for conduits 3" in diameter or smaller
12'-6" for conduits 4" in diameter and larger,
unless otherwise noted.

DOB: 12/10/07

Pending FINAL DESIGN
APPROVED FOR CONSTRUCTION



SCALE: 1" = 10'
0 10 20

DISTRICT 39 - VENTURA	PROJ. MGR. NICHOLSON, WENDY PHONE: 805-477-9557	PLANNER NICHOLSON, WENDY PHONE: 79557	DESIGNER APARICIO, LISA M.		
PROJECT NO. 1184262	SERVICE REQUEST 2103821	MSR NO. 1086512-METER & SERVICE CHANGE	ASSOC DESGN		
CIRCUIT / VOLTAGE RIVA 16KV	THOMAS GUIDE 461-B2	PRODUCT-2	ASSOC DESGN		
SUB / PG NO. CASITAS [D1]	CIRCUIT CODE 15150	PRODUCT-3	ASSOC DESGN		
INVENTORY MAP 052-019C-8	J.P.A. NO.	PROPOSED CONSTRUCTION (LOCATION)			
		VARLOC PLANT ONE VENTURA, CA 93001			
F	8/10/16	R. YANEZ	W. NICHOLSON	L. APARICIO	79351
F	2/17/16	R. YANEZ	W. NICHOLSON	L. APARICIO	79351
TYPE	DATE	APPROVED BY	CHECKED BY	DRAWN BY	PAX #
Southern California Edison Company					
SHEET 1 of 1					DESIGN\DRWG NO. 771885_0.01